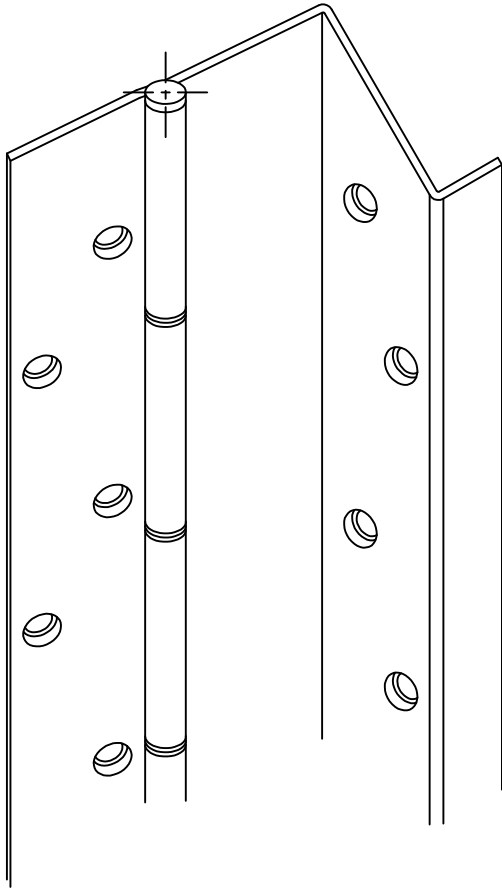


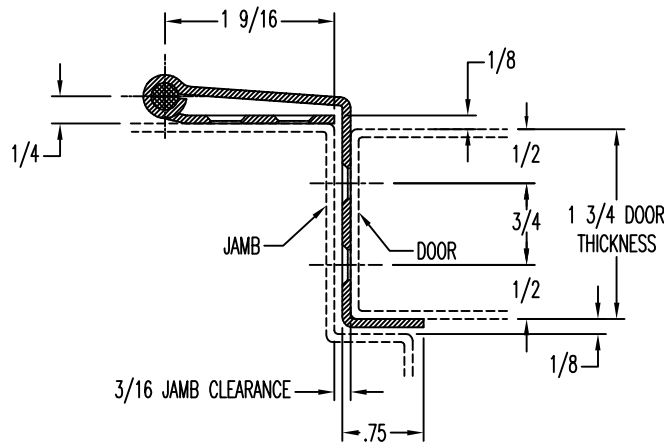
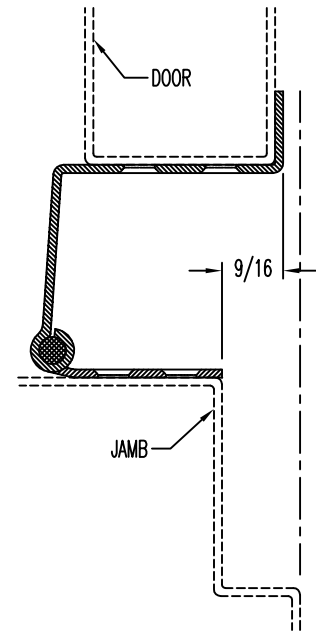
HINGE - SWING CLEAR - SINGLE EDGE GUARD

- 326-630 (SATIN STAINLESS STEEL)
- 326-629 (BRIGHT STAINLESS STEEL)
- 326-631 (NICKEL PLATED, BLACKENED, CLEAR COATED)
- 326-633 (SATIN BRASS PLATED, CLEAR COATED)
- 326-645 (BRIGHT NICKEL PLATED, CLEAR COATED)
- 326-646 (SATIN NICKEL PLATED, CLEAR COATED)
- 326-663 (ZINC PLATED, CLEAR CHROMATE SEAL)

- MATERIAL: 0.075" STAINLESS STEEL
- LENGTHS: 83.118", 83.771", 85.097", 94.992", 118.740"
CUSTOM LENGTHS AVAILABLE
- HOLES: PIERCED AND COUNTERSUNK FOR # 10 FH SCREW
- ASSEMBLY: ASSEMBLED WITH FLANGED BEARINGS AND STAINLESS STEEL END CAPS



TYPICAL INSTALLATION
DO NOT SCALE



FIRE RATING

- 3 HOURS - HOLLOW METAL DOORS MOUNTED SINGLY
- 90 MINUTES - HOLLOW METAL AND COMPOSITE CORE WOOD FIRE DOORS
- 20 MINUTES - WOOD DOORS

LISTED BY UL/ULC TO THE FOLLOWING CANADIAN AND US SAFETY STANDARDS:

- CAN4-S104-80M - STANDARD METHOD FOR FIRE TESTS OF DOOR ASSEMBLIES
- UL 10C - POSITIVE PRESSURE FIRE TESTS OF DOOR ASSEMBLIES

