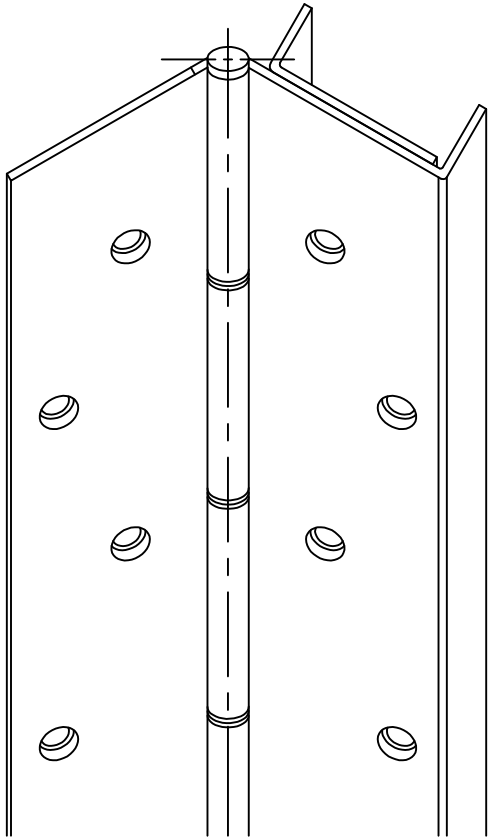


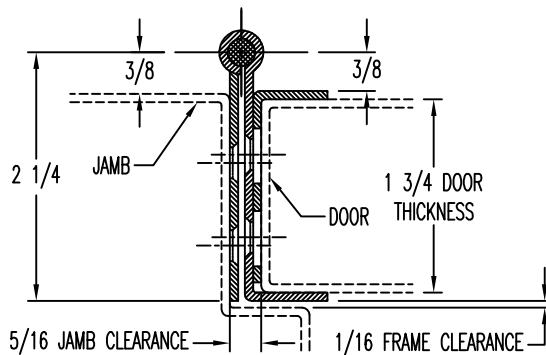
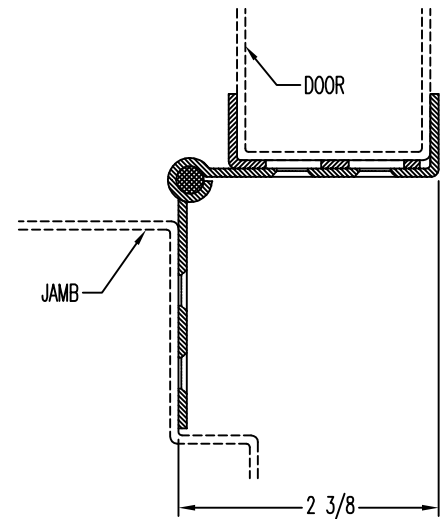
# DOUBLE EDGE GUARD HINGE

- 257-SS (STAINLESS STEEL)
- 257-ZP (ZINC PLATED)



- MATERIAL: 0.075" STAINLESS STEEL
- LENGTHS: 79.160", 83.118", 94.992", 118.740"  
CUSTOM LENGTHS AVAILABLE
- HOLES: PIERCED AND COUNTERSUNK FOR # 10 FH SCREW
- ASSEMBLY: ASSEMBLED WITH NYLON WASHERS AND STAINLESS STEEL END CAPS

TYPICAL INSTALLATION  
DO NOT SCALE



**UL** US  
F  
LISTED DOOR  
HINGE 32WX

## FIRE RATING

3 HOURS – HOLLOW METAL DOORS MOUNTED SINGLY

90 MINUTES – HOLLOW METAL AND COMPOSITE CORE WOOD FIRE DOORS

20 MINUTES – WOOD DOORS

LISTED BY UL/ULC TO THE FOLLOWING CANADIAN AND US SAFETY STANDARDS:

- CAN4-S104-80M – STANDARD METHOD FOR FIRE TESTS OF DOOR ASSEMBLIES
- UL 10C – POSITIVE PRESSURE FIRE TESTS OF DOOR ASSEMBLIES

