

A close-up photograph of a pin and barrel continuous hinge. The hinge is made of a polished, reflective metal, likely brass or stainless steel. It consists of a vertical barrel and a diagonal leaf. The leaf is attached to a metal door frame, which is also visible. The hinge is shown in a partially open position, highlighting the smooth operation of the barrel and the alignment of the leaf. The background is a blurred, light-colored surface, possibly a wall or another part of the door frame.

*Architectural
Hinge*

**PIN & BARREL
CONTINUOUS**

The logo for Larsen & Shaw, featuring a stylized key symbol with a circular head and a long, thin shaft that tapers to a point.

LARSEN & SHAW
the hinge people®

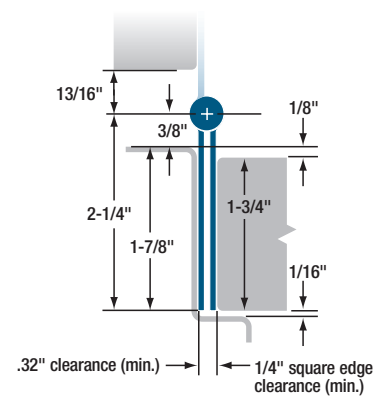
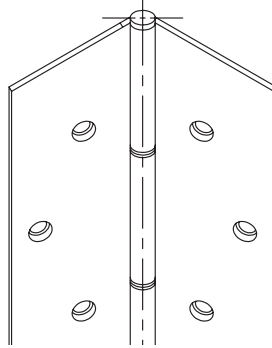
EDGE MOUNT HINGES

Edge Mount

LS300 – STAINLESS STEEL

LS200 – CARBON STEEL

- 0.075" gauge material
- 0.187" stainless steel pin
- Flange bearings standard
- For all 1-3/4" doors up to 600 lb
- Used on high-traffic, high-abuse doors

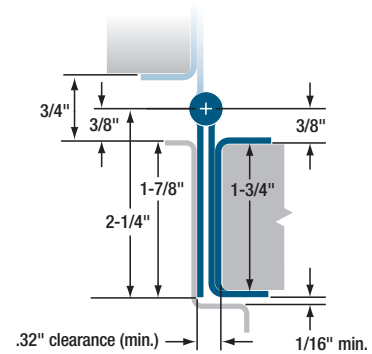
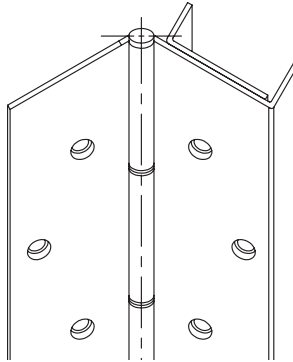


Edge Mount Double Guard

LS305 – STAINLESS STEEL

LS205 – CARBON STEEL

- 0.075" gauge material
- 0.187" stainless steel pin
- Flange bearings standard
- For all 1-3/4" doors up to 600 lb
- Used to protect both edges of the door from gouges & dents

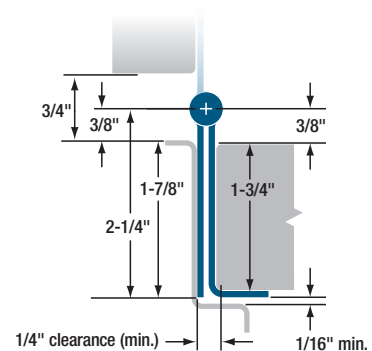
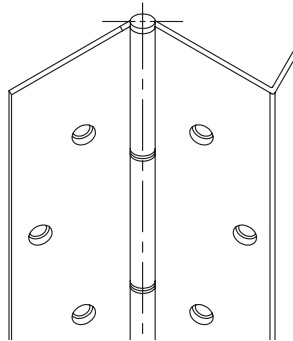


Edge Mount Single Guard

LS315 – STAINLESS STEEL

LS215 – CARBON STEEL

- 0.075" gauge material
- 0.187" stainless steel pin
- Flange bearings standard
- For all 1-3/4" doors up to 600 lb
- Used to protect a single edge of the hinge side of the door from gouges & dents



LARSEN & SHAW ADVANTAGES

LONG LASTING, MAINTENANCE FREE

Continuous hinges support the full height of the door and ensure perfect alignment, eliminating stress on closers, automatic operators and locking hardware.

FIRE RATED

3-hr. rating on hollow metal doors mounted singly. 90 minutes on hollow metal and composite core wood fire doors. 20 minutes on wood doors.

HEAVY DUTY, SECURE, ENERGY EFFICIENT

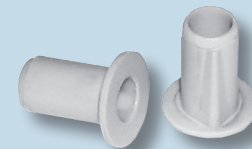
Ideal for applications where doors and frames are subjected to abuse. Leaves no gaps. Offers greater privacy, prevents doors from being pried open and creates a weather barrier for reduced air infiltration.

EASY TO INSTALL

Includes all fasteners (#10 wood and metal screws) and has non-handed hole patterns.

LONGER LIFE FLANGE BEARINGS

L&S proprietary flange bearings prevent metal-to-metal contact. The smoother action eliminates dust particles produced by standard hinge bearings.



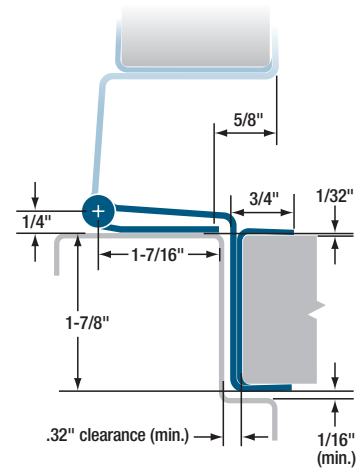
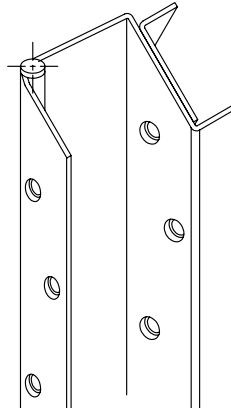
SWING CLEAR HINGES

Swing Clear Double Guard

LS310 – STAINLESS STEEL

LS210 – CARBON STEEL

- 0.075" gauge material
- 0.187" stainless steel pin
- Flange bearings standard
- For all 1-3/4" doors up to 600 lb
- Used to swing the door completely out of the opening as well as protect both edges of the hinge side of the door from gouges & dents

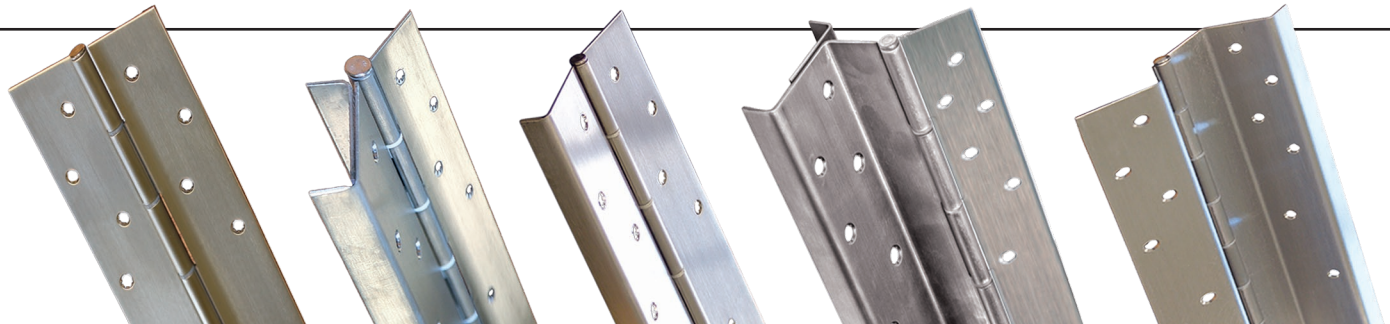
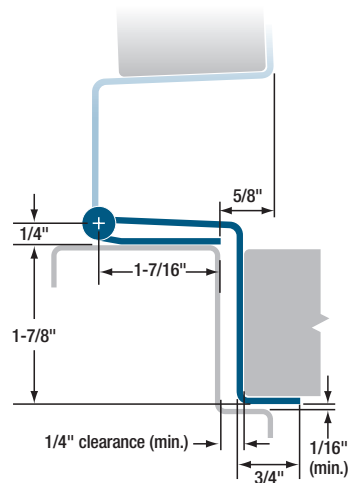
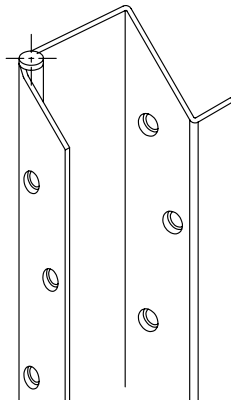


Swing Clear Single Guard

LS311 – STAINLESS STEEL

LS211 – CARBON STEEL

- 0.075" gauge material
- 0.187" stainless steel pin
- Flange bearings standard
- For all 1-3/4" doors up to 600 lb
- Used to swing the door completely out of the opening as well as protect a single edge of the hinge side of the door from gouges & dents



LS300

LS315

LS305

LS310

LS311

ATTRACTIVE PLATING

Match any décor with nickel, blackened nickel, brass or zinc with this attractive and lower-cost alternative to stainless steel. For indoor use.

CORROSION-RESISTANT ELECTROPOLISHING

Gives stainless steel a highly polished, smoother finish for easy cleaning and impressive look. Passivates the material for greater corrosion resistance.

ENVIRONMENTALLY FRIENDLY

We follow LEED principles in manufacturing, including buying raw materials in North America and producing hinges close to our main markets. We also operate using LEAN principles for further waste reduction and conservation. The hinges themselves are ideal in energy-efficient applications and their long life reduces waste from replacements.

QUICK DELIVERY

We ship within 14 days. Best in the industry.

SKILLED STAFF OFFERS ONE-STOP SERVICE

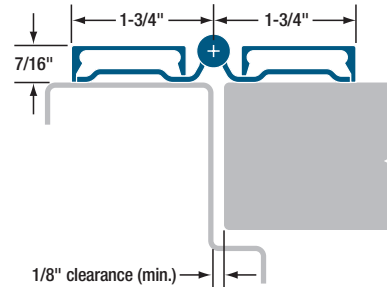
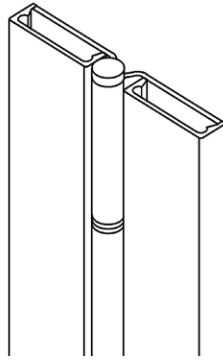
Only one place to call for answers. Our in-house staff has the skills, knowledge and experience to address all your questions.

SURFACE MOUNT HINGES

Full Surface Mount

LS302 – STAINLESS STEEL

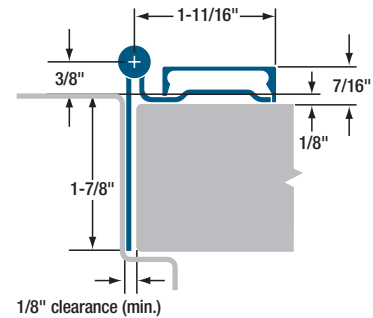
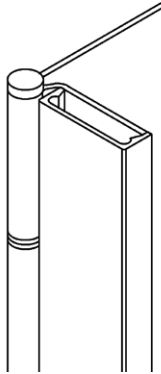
- 0.075" gauge material
- 0.187" stainless steel pin
- Flange bearings standard
- Surface mounts to both door and frame
- For all doors up to 600 lb
- Used for mounting on the face of an existing door & frame for renovation (retrofit) or new door and frame for new construction



Half Surface Mount/ Half Edge Mount

LS303 – STAINLESS STEEL

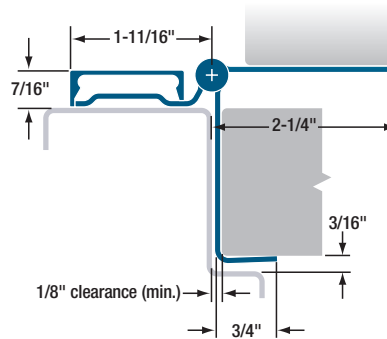
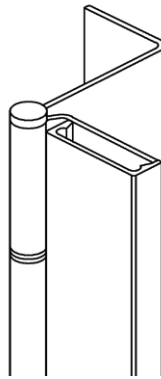
- 0.075" gauge material
- 0.187" stainless steel pin
- Flange bearings standard
- Surface mounts to door; edge mounts to frame
- For all doors up to 600 lb
- Used for retrofit or new construction by mounting on the door face and frame rabbet



Half Surface Mount/ Half Edge Mount Single Guard

LS306 – STAINLESS STEEL

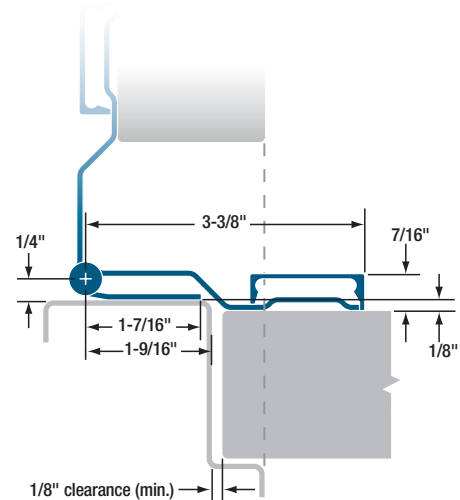
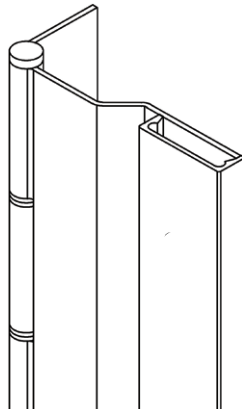
- 0.075" gauge material
- 0.187" stainless steel pin
- Flange bearings standard
- Surface mounts to frame; edge mounts to door
- For all doors up to 600 lb
- Used for retrofit or new construction by mounting on the frame face and single edge of the hinge side of the door to protect it from gouges & dents



Half Surface Mount/ Half Swing Clear

LS309 – STAINLESS STEEL

- 0.075" gauge material
- 0.187" stainless steel pin
- Flange bearings standard
- Surface mounts to door; swing clear mounts to frame
- For all doors up to 600 lb
- Used for retrofit or new construction by mounting on the door face and to swing the door completely out of the opening

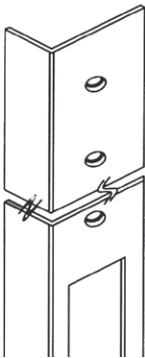


ACCESSORIES

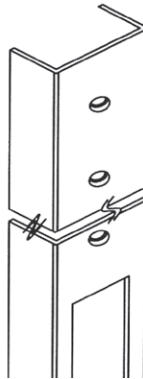
Edge Guards and Astragals

- 0.050" stainless steel
- For all 1-3/4" doors
- Used to protect leading edges of the door
- Use with door hinge models for a balanced look
- Holes pierced and countersunk for #6 FH screw or as required
- Available in beveled or non-beveled

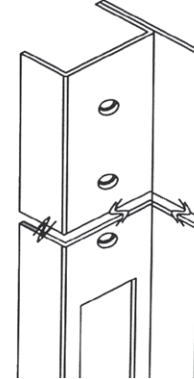
SINGLE EDGE



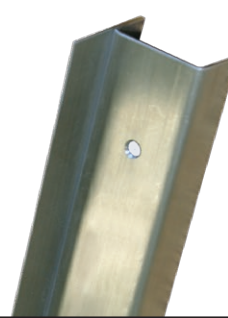
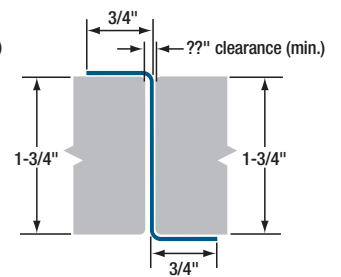
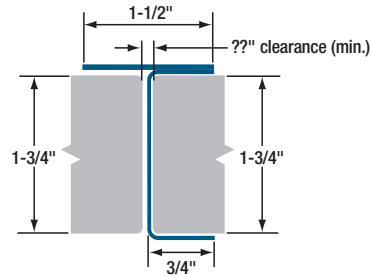
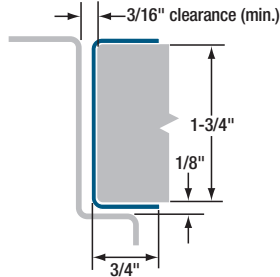
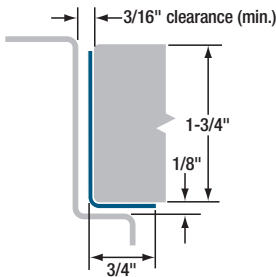
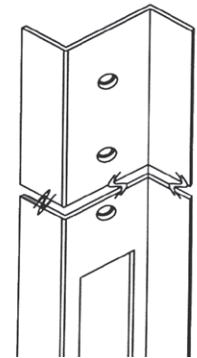
DOUBLE EDGE GUARD



DOUBLE EDGE WITH ASTRAGAL



Z-ASTRAGAL



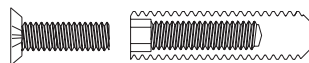
Fasteners

STANDARD FASTENERS

- RH247 — Stainless steel #10 x 1/2" Philips flat head, undercut self-drilling metal screw.
- RH248 — Stainless steel #10 x 1-1/4" Philips flat head, undercut sheet metal screw (for edge-mounting to wood).

ADJUSTA-SCREW™ FASTENERS

Remedy out-of-square doors and frames easily. Correct fit variances up to 3/8" along full length of door. Order separately.



Shims

HALF SHIM

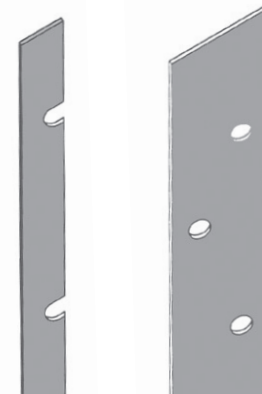
(with open slots)

- 0.063" galvanized

FULL SHIM

(with screw holes)

- 0.063" galvanized



OPTIONS

Lengths

HINGES, EDGE GUARDS & ASTRAGALS

NOMINAL	ACTUAL
6' 7"	79.160"
7'	83.118"
2150 mm	83.771"
7'2"	85.097"
8'	94.992"
10'	118.740"

Materials

STAINLESS STEEL (300 SERIES)

- Great strength
- Rust resistant
- Can be polished to a bright, satin or brushed finish
- For highly corrosive areas, 316 grade or clear coat over the standard 304 grade is recommended

CARBON STEEL (200 SERIES)

- Great strength but is subject to corrosion
- Atmosphere must be stable or it will begin to rust
- Best application is a controlled environment

PLATED CARBON STEEL

- All the strength of plain steel with good rust resistance
- The beauty of stainless steel for less cost and the ability to match the colour of the décor

PAINTED CARBON STEEL

- The strength of plain steel with good rust resistance
- More costly than plated, but offers more options to match décor
- Recommended for interior use only

Finishes

- Bright stainless steel
- Satin stainless steel
- Nickel-plated, blackened, clear coated
- Satin brass-plated, clear coated
- Bright nickel-plated, clear coated
- Satin nickel-plated, clear coated
- Zinc-plated, clear chromate seal painted (to customer specs)

Modifications

- FBRG** Flange (Hospital) Bearing – standard
- LGTH** Length – if other than standard
- EPT** CTP Cutout – Power Transfer Protocol; hinge leaf cutout to accommodate power transfer contacts
- HT** Hospital Tip – for safety and cleaning
- DD** Dutch Door – continuous frame leaf with two-piece door leaf
- SW/F** Swaged or Formed
- CHP** Custom Holes
- PLSH** Electropolished
- EGC** EG Cutout Hardware – door guard cutout hardware for strikers and latches
- CTW4** Concealed Current Transfer - 4 wire – 28ga wires
- CTW8** Concealed Current Transfer - 8 wire – 28ga wires
- CTAP** Current Transfer Access Prep.

WARRANTY

Larsen & Shaw brand architectural hinges, featuring our flange bearing, carry a limited warranty of 25 years on the functional operation of the hinge. Warranty limitations include damage arising from abuse, misuse, modification, improper handling and storage, incorrect installation or adjustment and all other circumstances beyond the control of Larsen & Shaw Limited. Generally, these limitations are standard for the industry.

Every Larsen & Shaw product has been carefully manufactured and is guaranteed to be free from defects in workmanship or materials. Our liability under all warranties, expressed or implied, shall be limited to the replacement of goods proven to be defective, but no claims for damage incurred or for work done thereon will be allowed.

ANSI/BHMA Certified

Tested and certified by a third-party laboratory to be compliant with ANSI/BHMA A156.26 – 2006 American Standard for Continuous Hinges. Cycle testing a 300-lb. door/hinge assembly exceeded 1,000,000 cycles along with abuse and overload tests in order to satisfy BHMA Grade I requirements.

ISO Quality Standards

Quality management system certified by QMI-SAI Canada to be in compliance with ISO 9001:2008.

The Hinge People® at Larsen & Shaw produce high-quality, reliable hinges for commercial, institutional and residential applications. Responsive, personal service and on-time delivery for nearly 100 years have made us the largest hinge manufacturer in Canada and a leading global supplier.



Box 1420
575 Durham Street West
Walkerton, Ontario
Canada N0G 2V0

Ph (800) 265-3078
(519) 881-1320 Fax (519) 881-3575
sales@larsenhinge.com
www.larsenhinge.com

© 2010 LARSEN & SHAW