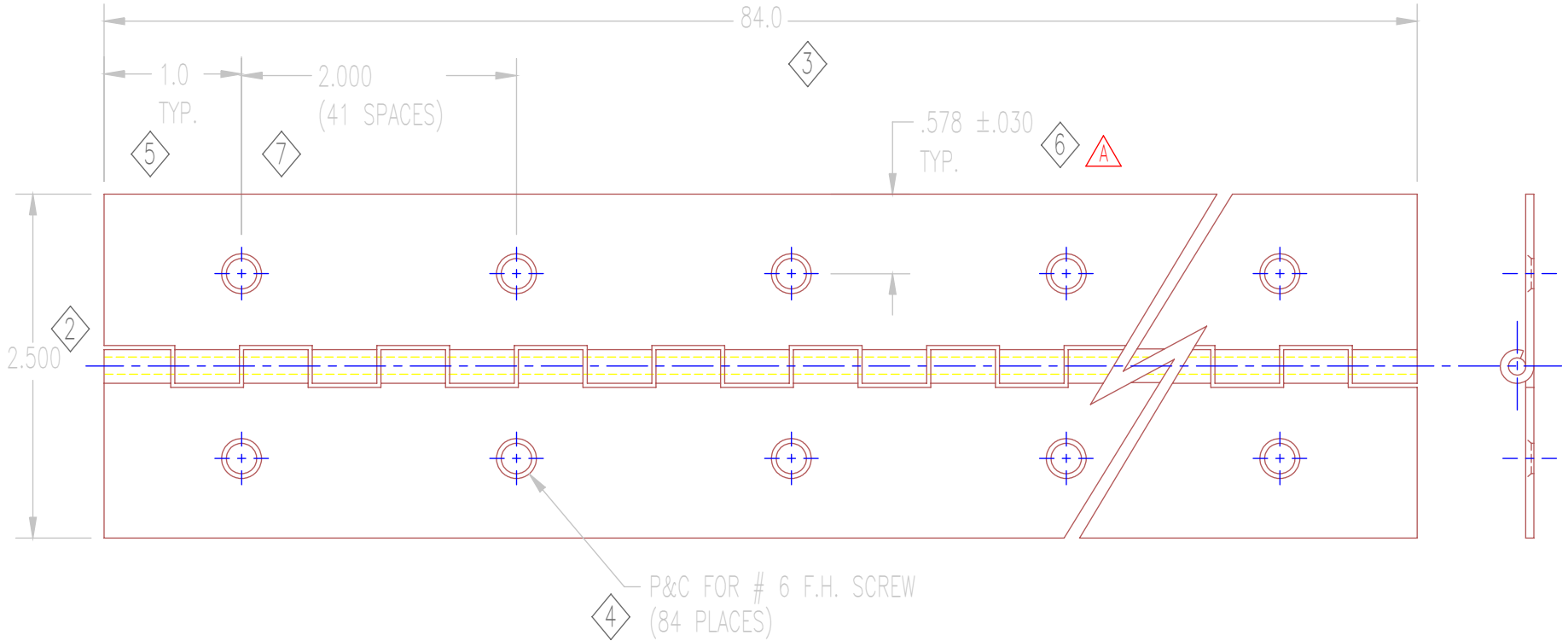


REV	DATE			CHANGE DESCRIPTION	CHG	CKD
	Y	M	D			
	94	08	11	RELEASED		
A	95	04	26	.578 WAS .500		

- ALL DIMENSIONS ARE IN INCHES
 - DRAWINGS ARE NOT TO SCALE
 - KNUCKLE PATTERN MAY VARY



1) SPECIAL OPERATIONS - STAKED	A) LEAF: .060 ±.005 CRS THICKNESS MATERIAL FINISH	B) PIN: .125 ±.002 STEEL DIAMETER MATERIAL FINISH	TOLERANCES UNLESS NOTED: .X ±.060 .XX ±.030 .XXX ±.015	*STANDARD DIE BURRS PERMISSIBLE* ANGLES ± 2°	
	C) KNUCKLE LENGTH: 1/2"	D) MOVEMENT: FREE SWINGING/SMOOTH-ACTING	LARSEN <i>The Hinge People</i> LARSEN & SHAW LIMITED Walkerton, Ontario N0G 2V0 (519) 881-1320		
	E) WIDTH: <u>EQUAL</u> * <u>UNEQUAL</u>	F) FINISH: NICKEL / FLASH BRASS			
	G) DECREASED YES NO *	H) ASSEMBLY STD. * REV.	J) PIN RETENTION: NON-REMOVABLE	ORIGINAL DRAWN BY: T.K.	ITEM DESCRIPTION: CONTINUOUS HINGE
				CUSTOMER REFERENCE: TRANS ATLANTIC	CATALOGUE # D544
			PART # 1116H41	REV A	