

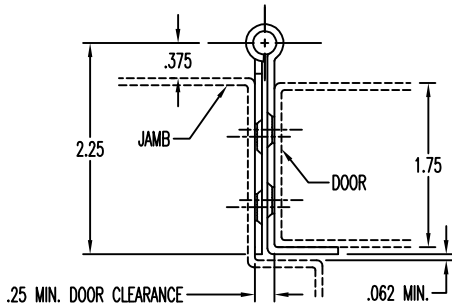


575 DURHAM ST. W.  
WALKERTON ON NOG 2B0  
(519) 881-1320

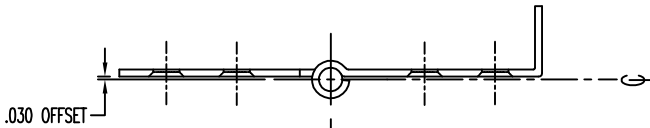
# SINGLE EDGE GUARD

83.118" STAINLESS STEEL HINGE  
PART #: 1414256SS  
FINISH: BRUSHED  
PACKED: INDIVIDUALLY, WITH  
# 10 WOOD & METAL SCREWS  
LEAVES: .075 ST.ST.  
PIN: .250 ST.ST.  
ALL DIMENSIONS ARE IN INCHES

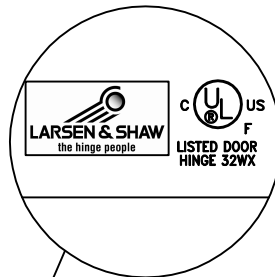
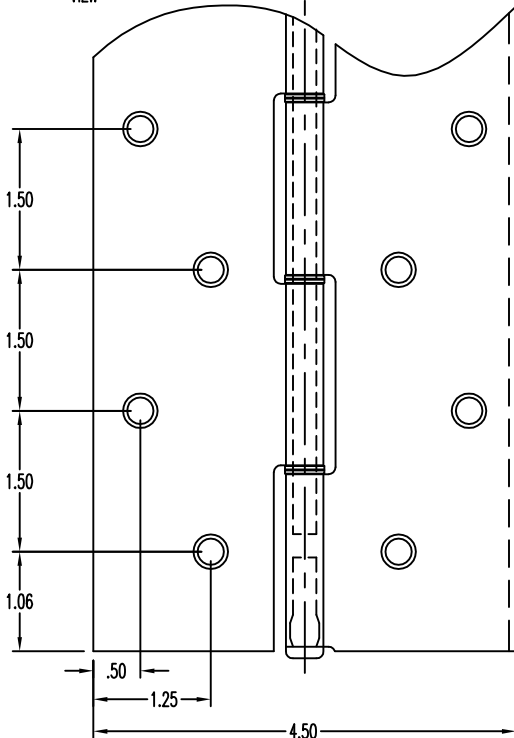
TYPICAL INSTALLATION DO NOT SCALE



SINGLE EDGE GUARD - APPLICATION VIEW



ENLARGED VIEW



DETAIL A (ROTATED)

