



# SECURITRON

—AVOID ERRORS BY BEING CAREFUL NOW  
PLEASE COMPLETE STEPS 1 TO 4

STEP 1: SELECT BASE HINGE:  LARSEN PRODUCT # IF KNOWN: \_\_\_\_\_

OR TYPE:  EDGE MOUNT     SINGLE GUARD     DOUBLE GUARD     SWING CLEAR

LENGTH:  79.16     83.118     83.771     85.097     94.992     118.74

STEP 2: HANDING OF DOORS:  
(ALWAYS VIEWED FROM THE OUTSIDE)



STEP 3: FINAL HINGE LENGTH:  SAME AS BASE HINGE    OR SPECIFY DIMENSION Z: \_\_\_\_\_

STEP 4: ELECTRICAL CUTOUT DIMENSIONS:

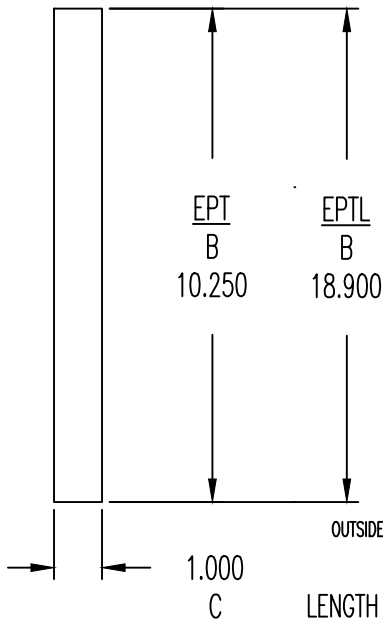
CUTOUT: A - TOP OF HINGE TO CENTRELINE OF CUTOUT: (SEE STANDARDS)

| (STANDARDS FOR DIM. A) |         |
|------------------------|---------|
| 79.16 HINGE:           | 39 3/8  |
| 83.125 HINGE:          | 41 9/16 |
| 83.771 HINGE:          | 41 7/8  |
| 85.097 HINGE:          | 42 9/16 |
| 94.992 HINGE:          | 47 1/2  |
| 118.74 HINGE:          | 47 1/2  |

## HOLE CUTOUT

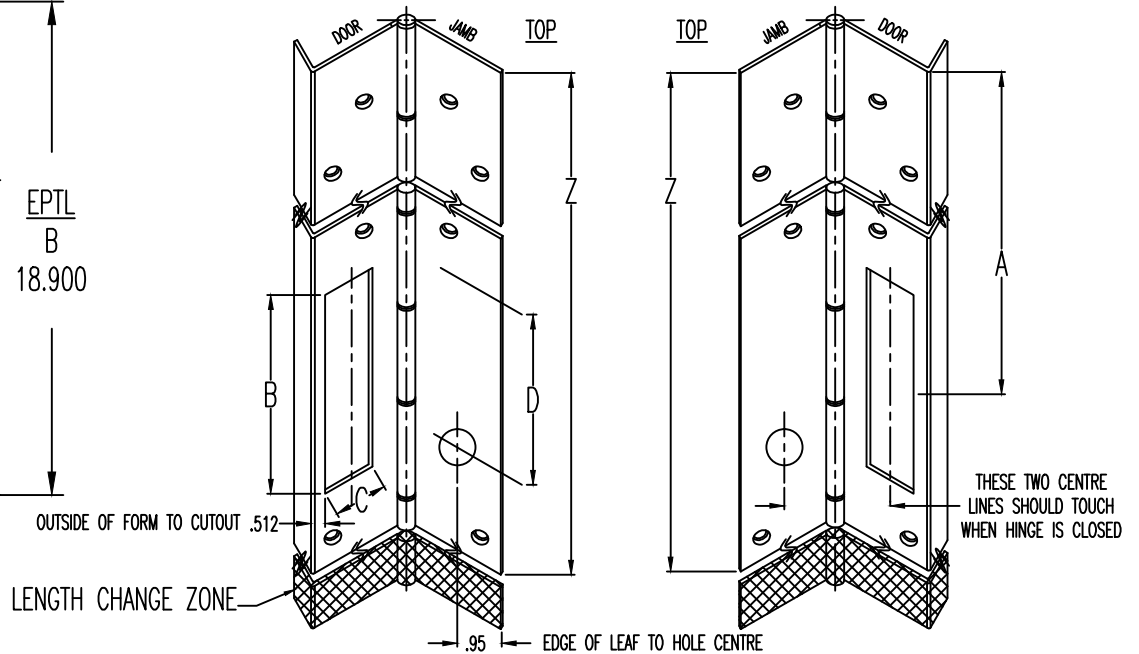
○ FOR EPT D=9.000"  
.50 DIA. FOR EPTL D=17.700"

## SQUARE EDGE CUTOUT



RIGHT HAND  
OR LEFT HAND REVERSE  
HINGE SHOWN

LEFT HAND  
OR RIGHT HAND REVERSE  
HINGE SHOWN



I APPROVE THE DESIGN AND DIMENSIONS AS SHOWN ON THIS TEMPLATE, AND I AUTHORIZE FABRICATION OF THESE PARTS.

FULL NAME: \_\_\_\_\_

SIGNED BY: \_\_\_\_\_

P.O. #: \_\_\_\_\_

COMPANY NAME: \_\_\_\_\_

DATE: \_\_\_\_\_

S.O. #: \_\_\_\_\_