



575 DURHAM ST. W.
WALKERTON ON NOG 2B0
(519) 881-1320

DOUBLE EDGE GUARD

83.118" STAINLESS STEEL HINGE

PART #: 1414257SS

FINISH: BRUSHED

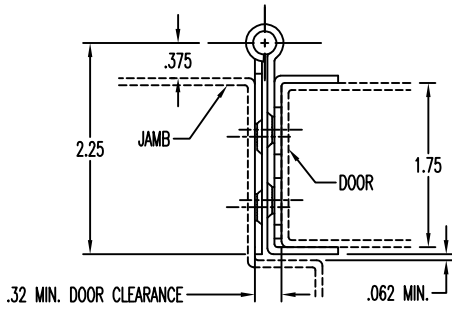
PACKED: INDIVIDUALLY, WITH
10 WOOD & METAL SCREWS

LEAVES: .075 ST.ST.

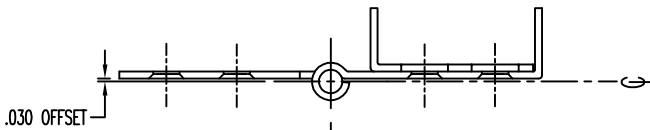
PIN: .250 ST.ST.

ALL DIMENSIONS ARE IN INCHES

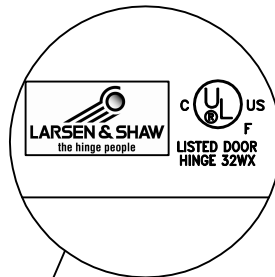
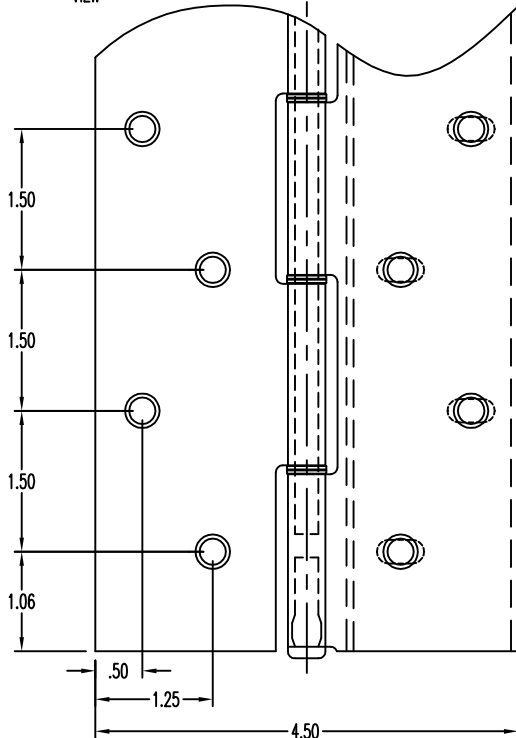
TYPICAL INSTALLATION DO NOT SCALE



DOUBLE EDGE GUARD - APPLICATION VIEW



ENLARGED VIEW



DETAIL A (ROTATED)

