



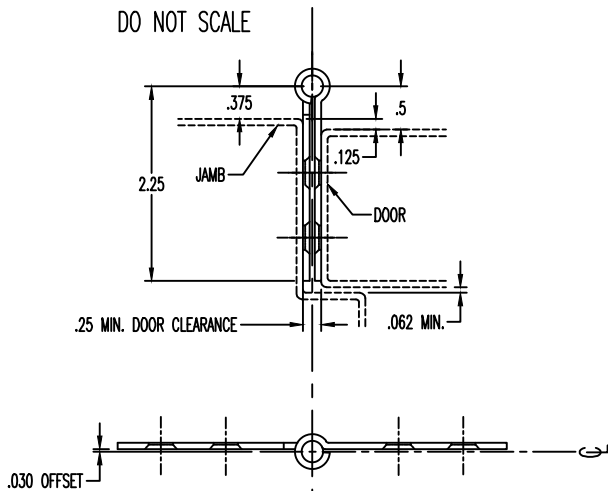
575 DURHAM ST. W.
WALKERTON ON NOG 2B0
(519) 881-1320

EDGE MOUNT (FULL MORTISE)

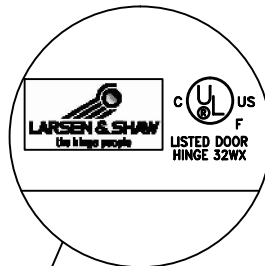
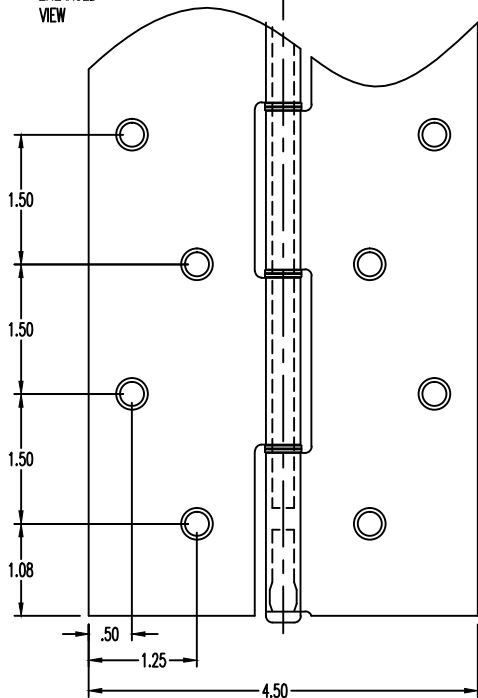
79.16" STAINLESS STEEL HINGE
CATALOGUE #: LS-200 & LS300
PART #: 1414254SS
FINISH: BRUSHED
PACKED: INDIVIDUALLY, WITH
10 WOOD & METAL SCREWS
LEAVES: .075 ST.ST.
PIN: .187 ST.ST.
ALL DIMENSIONS ARE IN INCHES

TYPICAL INSTALLATION

DO NOT SCALE



ENLARGED VIEW



DETAIL A (ROTATED)

