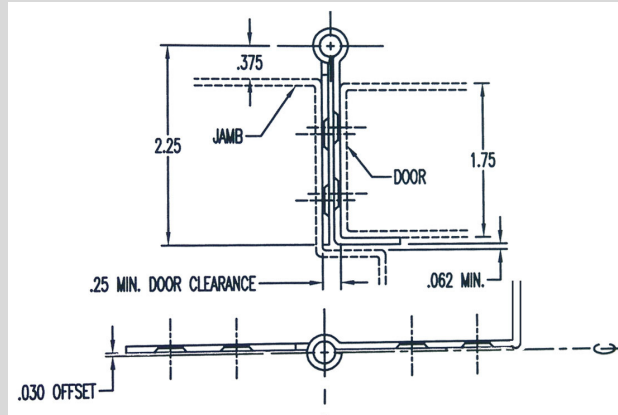
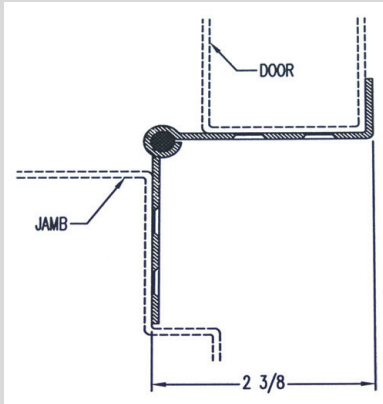


# Single Guard

Catalogue #: LS215 & LS315



\*Protects inside edge of door from damage

## Finishes

- **LS315-630** satin stainless steel
- **LS315-629** bright stainless steel
- **LS215-631** nickel plated, blackened
- **LS215-633** satin brass plated
- **LS215-645** bright nickel plated
- **LS215-646** satin nickel plated
- **LS215-663** zinc plated, clear chromate seal

## Specifications

- **Material:** 0.075" gauge
- **Pin:** 0.187" stainless steel
- **Holes:** press countersink for # 10 FH screw
- **Bearings:** nylon flanged (standard)
- **Assembly:** assembled with flange bearings and stainless steel end caps
- **Packed:** individually, with # 10 wood & metal screws
- **Capacity:** support weights up to 600 lbs for door widths up to 4'0"

## Fire Rating

- **3 hours** hollow metal doors mounted singly
- **90 minutes** hollow metal and composite core wood fire doors
- **20 minutes** wood doors

## Listed by UL/ULC to Canadian and US Safety Standards

- **ANSI/BHMA Standard A 156.26-2006 Grade 1-150**
- **UL10B** – positive pressure fire tests of door assemblies
- **ASTM E-152 CAN4 S104** – standard method for fire tests of door assemblies

## Modifications

- Custom lengths
- Custom holes
- Raised barrel
- Sheared leaf
- Medical tip
- Dutch door
- Swaged (raised barrel) / formed
- Electropolished
- Electric power transfer cutout
- Electric transfer access prep
- Concealed current transfer – 4 wire  
8 wire

## Options

- 0.250" pin with 2 stainless steel washers between each knuckle (flange bearings are standard)

## Fasteners

### Included with each hinge, all lengths

- 54 pieces - #10 x 1/2" Philips flat head undercut self drilling metal screw
- 27 pieces - #10 x 1 1/4" Philips flat head undercut sheet metal screw (for mounting to wood)

## Options

- 27 pieces - 1 3/8" Adjusta-Screw  
- includes #10 – 32 x 3/4" Philips flat head undercut machine screw
- Torx screw – to be specified
- Tap – left hand – 3/8" – 16 TPI LH