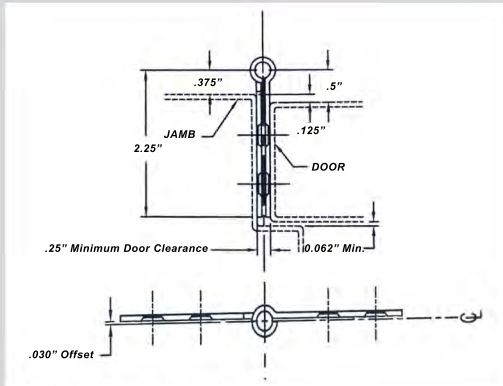
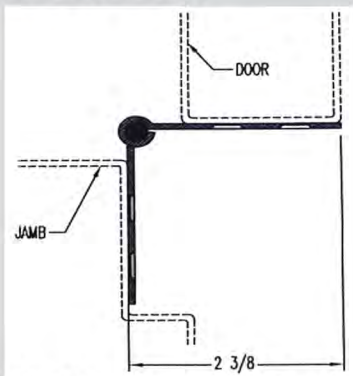


# Edge Mount – Full Mortise

Catalogue #: LS200 & LS300



\* Attached to the edge of door & frame, with only knuckles showing

## Finishes

- |   |   |
|---|---|
| • <b>LS300-630</b> satin stainless steel  | • <b>LS200-631</b> nickel plated, blackened         |
| • <b>LS300-629</b> bright stainless steel | • <b>LS200-633</b> satin brass plated               |
|   | • <b>LS200-645</b> bright nickel plated             |
|   | • <b>LS200-646</b> satin nickel plated              |
|   | • <b>LS200-663</b> zinc plated, clear chromate seal |

## Specifications

- **Material:** 0.075" gauge
- **Pin:** 0.187" stainless steel
- **Holes:** press countersink for # 10 FH screw
- **Bearings:** nylon flanged (standard)
- **Assembly:** assembled with flange bearings and stainless steel end caps
- **Packed:** individually, with # 10 wood & metal screws
- **Capacity:** support weights up to 600 lbs for door widths up to 4'0"

## Fire Rating

- **3 hours** hollow metal doors mounted singly
- **90 minutes** hollow metal and composite core wood fire doors
- **20 minutes** wood doors

## Listed by UL/ULC to Canadian and US Safety Standards

- **ANSI/BHMA** Standard A 156.26-2006 Grade 1-150
- **UL10B** – positive pressure fire tests of door assemblies
- **ASTM E-152 CAN4 S104** – standard method for fire tests of door assemblies

## Modifications

- |                  |                                       |
|------------------|---------------------------------------|
| • Custom lengths | • Swaged (raised barrel) / formed     |
| • Custom holes   | • Electropolished                     |
| • Raised barrel  | • Electric power transfer cutout      |
| • Sheared leaf   | • Electric transfer access prep       |
| • Hospital tip   | • Concealed current transfer – 4 wire |
| • Dutch door     | 8 wire                                |

## Options

- 0.250" pin with 2 stainless steel washers between each knuckle (flange bearings are standard)

## Fasteners

### Included with each hinge, all lengths

- 54 pieces - #10 x 1/2" Philips flat head undercut self drilling metal screw
- 27 pieces - #10 x 1 1/4" Philips flat head undercut sheet metal screw (for mounting to wood)

## Options

- 27 pieces - 1 3/8" Adjusta-Screw  
- includes #10 – 32 x 3/4" Philips flat head undercut machine screw
- Torx screw – to be specified
- Tap – left hand – 3/8" – 16 TPI LH