



1-800-265-3078  
(519) 881-1320

# TEMPLATE FOR CONCEALED CURRENT TRANSFER PREPARATION QTY.: \_\_\_\_\_



— AVOID ERRORS BY BEING CAREFUL NOW  
PLEASE COMPLETE STEPS 1 TO 3

STEP 1: SELECT BASE HINGE LENGTH:  79.16     83.118     83.771     85.097     94.992     118.74

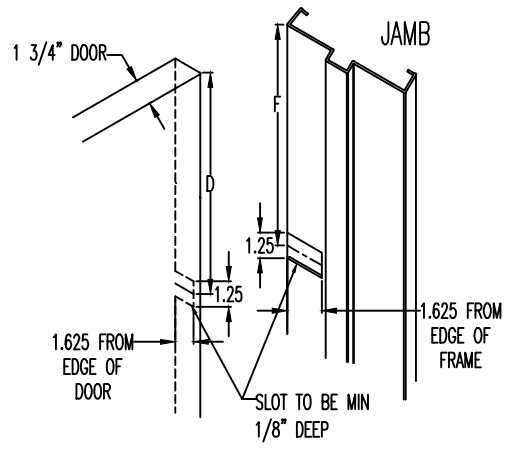
STEP 2: HANDING OF DOORS: (ALWAYS VIEWED FROM THE OUTSIDE)

RIGHT HAND     LEFT HAND REVERSE     LEFT HAND     RIGHT HAND REVERSE

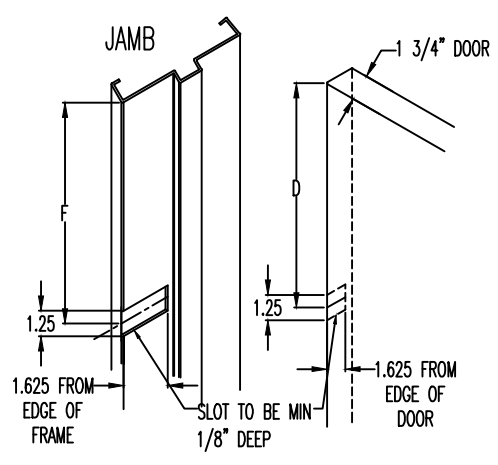
STEP 3: CUTOUT DIMENSIONS: - any changes must be in increments of  $\pm 1 \frac{15}{16}$ "

HINGE LENGTH	RH OR LHR		LH OR RHR	
	D	F	D	F
79.16	38 11/16	40 9/16	40 7/16	38 13/16
83.118	42 7/16	40 13/16	40 11/16	42 9/16
83.771	42 7/16	40 13/16	40 11/16	42 9/16
85.097	42 7/16	40 13/16	40 11/16	42 9/16
94.992	46 5/8	48 1/2	48 3/8	46 3/4
118.74	58 1/2	60 3/8	60 1/4	58 5/8

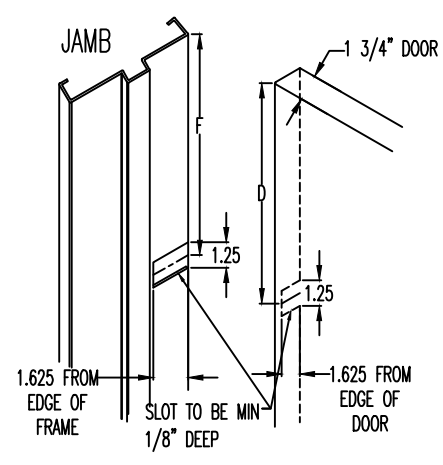
RIGHT HAND



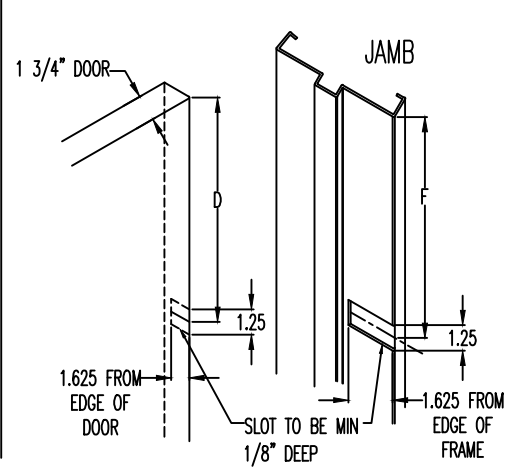
LEFT HAND REVERSE



LEFT HAND



RIGHT HAND REVERSE



NOTE: DIMENSIONS ARE BASED ON INDUSTRY STANDARD OF 1/8" CLEARANCE BETWEEN TOP OF DOOR OPENING AND TOP OF DOOR

I APPROVE THE DESIGN AND DIMENSIONS AS SHOWN ON THIS TEMPLATE, AND I AUTHORIZE FABRICATION OF THESE PARTS.

FULL NAME: \_\_\_\_\_ SIGNED BY: \_\_\_\_\_ P.O. #: \_\_\_\_\_

COMPANY NAME: \_\_\_\_\_ DATE: \_\_\_\_\_ S.O. #: \_\_\_\_\_

PHONE #:

FVT